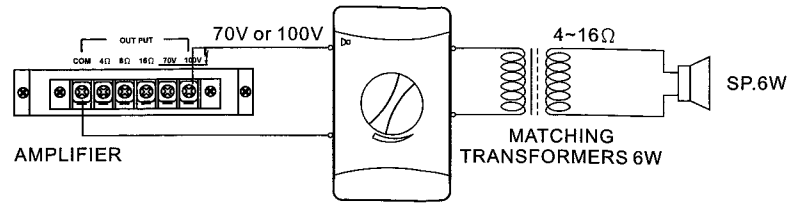
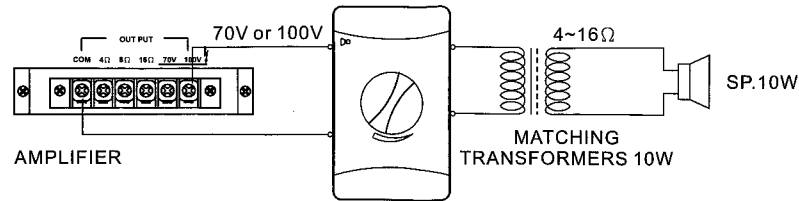


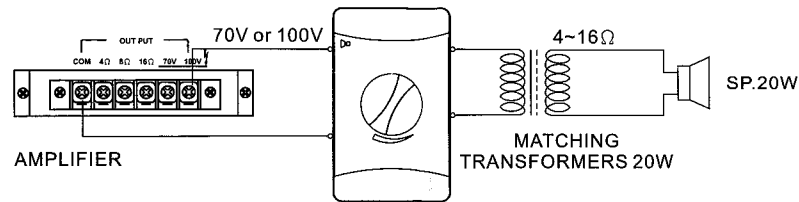
6 W



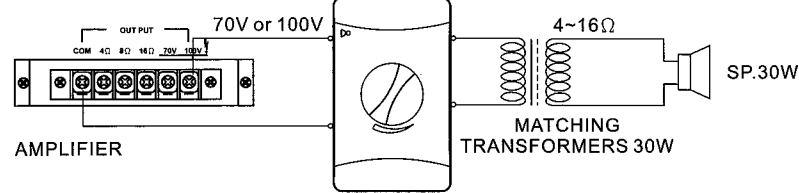
10 W



20 W



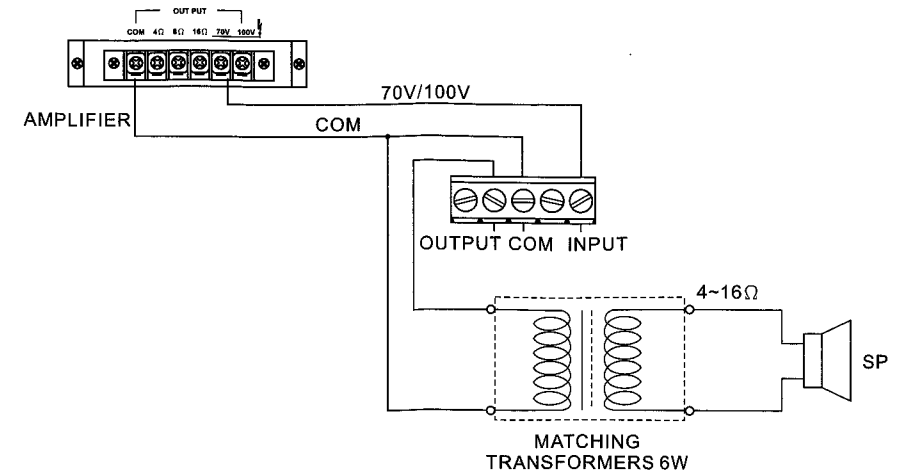
30 W



SPECIFICATION

NORMAL POWER	6W	10W	20W	30W
INPUT	50V,70V,100V			
CONTROLS	VOLUME CONTROL WITH 11 POSITIONS & OFF			
ATTENUATION	OFF,3dB			
SITE	120x70x50mm			

LINE CONNECTION



CONSTRUCTION DIAGRAM

